

This Page Is Inserted by IFW Operations  
and is not a part of the Official Record

## **BEST AVAILABLE IMAGES**

Defective images within this document are accurate representations of the original documents submitted by the applicant.

Defects in the images may include (but are not limited to):

- BLACK BORDERS
- TEXT CUT OFF AT TOP, BOTTOM OR SIDES
- FADED TEXT
- ILLEGIBLE TEXT
- SKEWED/SLANTED IMAGES
- COLORED PHOTOS
- BLACK OR VERY BLACK AND WHITE DARK PHOTOS
- GRAY SCALE DOCUMENTS

**IMAGES ARE BEST AVAILABLE COPY.**

**As rescanning documents *will not* correct images,  
please do not report the images to the  
Image Problem Mailbox.**

(12) INTERNATIONAL APPLICATION PUBLISHED UNDER THE PATENT COOPERATION TREATY (PCT)

(19) World Intellectual Property Organization  
International Bureau



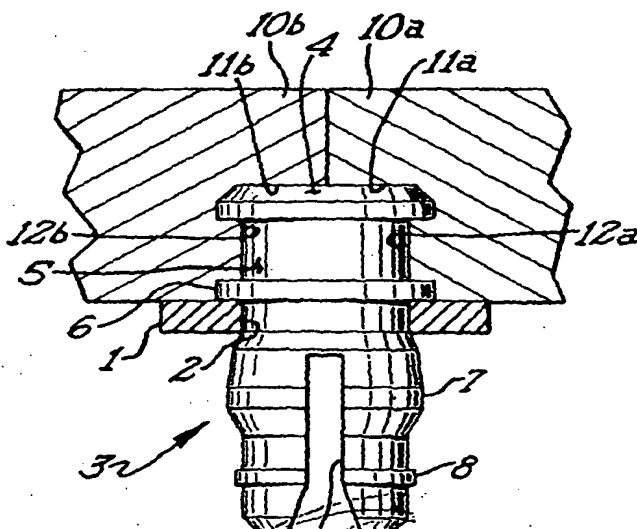
(43) International Publication Date  
2 November 2000 (02.11.2000)

PCT

(10) International Publication Number  
WO 00/064599 A3

- (51) International Patent Classification<sup>7</sup>: B07B 1/49
- (21) International Application Number: PCT/US00/11162
- (22) International Filing Date: 26 April 2000 (26.04.2000)
- (25) Filing Language: English
- (26) Publication Language: English
- (30) Priority Data:  
199 18 824.6 26 April 1999 (26.04.1999) DE
- (71) Applicants (for all designated States except US): DUREX PRODUCTS, INC. [US/US]; P.O. Box 354, 112 First Ave. West, Luck, WI 54853 (US). GUMMI KÜPER GMBH & CO. KG [DE/DE]; Mettestrasse 23, D-44308 Bochum (DE).
- (72) Inventors; and
- (75) Inventors/Applicants (for US only): KÜPER, Roland, E. [DE/DE]; Castroper Strasse 102, D-44791 Bochum (DE). SAWALL, Kirk [US/US]; 2551 190th Street, Luck, WI 54853 (US). DITLEFSON, David, Henry [US/US]; 2236 190th Street, Centuria, WI 54824 (US).
- (74) Agents: HANSEN, Conrad et al.; Moore & Hansen, 2900 Norwest Center, 90 South Seventh Street, Minneapolis, MN 55402 (US).
- (81) Designated States (national): AE, AG, AL, AM, AT, AU, AZ, BA, BB, BG, BR, BY, CA, CH, CN, CR, CU, CZ, DE, DK, DM, DZ, EE, ES, FI, GB, GD, GE, GH, GM, HR, HU, ID, IL, IN, IS, JP, KE, KG, KP, KR, KZ, LC, LK, LR, LS, LT, LU, LV, MA, MD, MG, MK, MN, MW, MX, NO, NZ, PL, PT, RO, RU, SD, SE, SG, SI, SK, SL, TJ, TM, TR, TT, TZ, UA, UG, US, UZ, VN, YU, ZA, ZW.
- (84) Designated States (regional): ARIPO patent (GH, GM, KE, LS, MW, SD, SL, SZ, TZ, UG, ZW), Eurasian patent (AM, AZ, BY, KG, KZ, MD, RU, TJ, TM), European patent (AT, BE, CH, CY, DE, DK, ES, FI, FR, GB, GR, IE, IT, LU, MC, NL, PT, SE), OAPI patent (BF, BJ, CF, CG, CI, CM, GA, GN, GW, ML, MR, NE, SN, TD, TG).
- Published:  
— with international search report
- (88) Date of publication of the international search report:  
6 February 2003
- For two-letter codes and other abbreviations, refer to the "Guidance Notes on Codes and Abbreviations" appearing at the beginning of each regular issue of the PCT Gazette.

(54) Title: SIEVE BED FOR A SIFTING MACHINE



(57) Abstract: The invention pertains to a sieve bed for a sifting machine, consisting of rectangular sieve elements (10), which are attached to a support frame (1) with their edges abutting each other, the support frame being provided with mushroom-shaped mounting pins (3), each of which is provided with a head which engages in an interlocking manner in corresponding recesses (11a and 11b) of the sieve elements (10). To facilitate the assembly and disassembly of the sieve elements in a sieve bed of this type and to protect the connection from premature wear the invention proposes that the receptacle (11) for the head (4) of the mounting pin (3) be closed off at the top; that the receptacle (11) for the head (4) of the mounting pin (3) be provided at the bottom with an entrance opening for the head (4) of the mounting pin (3); and that the wall of the receptacle (11) be provided with an inward-projecting bed (12), which can be snapped under the head (4) of the mounting pin (3).

WO 00/064599 A3

## INTERNATIONAL SEARCH REPORT

International application No.  
PCT/US00/11162

<b>A. CLASSIFICATION OF SUBJECT MATTER</b> IPC(7) : B07B 1/49 US CL : 209/405 According to International Patent Classification (IPC) or to both national classification and IPC		
<b>B. FIELDS SEARCHED</b> Minimum documentation searched (classification system followed by classification symbols) U.S. : 209/405, 408, 409, 412, 399, 407  Documentation searched other than minimum documentation to the extent that such documents are included in the fields searched  Electronic data base consulted during the international search (name of data base and, where practicable, search terms used) EAST		
<b>C. DOCUMENTS CONSIDERED TO BE RELEVANT</b>		
Category*	Citation of document, with indication, where appropriate, of the relevant passages	Relevant to claim No.
X	WO 90/05594 A (Russell) 31 May 1990, figures 3, 3A, 5, 5A, 1A	1 - 1 1 , 1 4 - 26,27,28,29
X	US 5,462,175 A (Bokor) 31 October 1995, figs 2-4	1 - 1 1 , 1 4 - 26,27,28,29
X	US 4,871,288 A (Schmidt et al.) 3 October 1989, Figure 1	1 - 1 1 , 1 4 - 2 6 , 27,28,29
Y	US 4,409,099 A (Wolff) 11 October 1983, figure 4	27
X	DE 3,724,246 A1 (Antrag auf Nichterlegung) 2 February 1989, Fig 2	1, 12
Y	US 4,265,742 A (Bucker et al.) 5 May 1981, Fig 3 (a)	26
<input checked="" type="checkbox"/> Further documents are listed in the continuation of Box C. <input type="checkbox"/> See patent family annex.		
* Special categories of cited documents:	"T" later document published after the international filing date or priority date and not in conflict with the application but cited to understand the principle or theory underlying the invention	
"A" document defining the general state of the art which is not considered to be of particular relevance	"X" document of particular relevance; the claimed invention cannot be considered novel or cannot be considered to involve an inventive step when the document is taken alone	
"E" earlier document published on or after the international filing date	"Y" document of particular relevance; the claimed invention cannot be considered to involve an inventive step when the document is combined with one or more other such documents, such combination being obvious to a person skilled in the art	
"L" document which may throw doubts on priority claim(s) or which is cited to establish the publication date of another citation or other special reason (as specified)	"&" document member of the same patent family	
"O" document referring to an oral disclosure, use, exhibition or other means		
"P" document published prior to the international filing date but later than the priority date claimed		
Date of the actual completion of the international search 05 NOVEMBER 2000	Date of mailing of the international search report 06 NOV 2000	
Name and mailing address of the ISA/US Commissioner of Patents and Trademarks Box PCT Washington, D.C. 20231 Facsimile No. (703) 305-3230	Authorized officer <i>Donald Walsh</i> Donald Walsh Telephone No. (703) 306 - 4173	

## INTERNATIONAL SEARCH REPORT

International application No.  
PCT/US00/11162

C (Continuation). DOCUMENTS CONSIDERED TO BE RELEVANT		
Category*	Citation of document, with indication, where appropriate, of the relevant passages	Relevant to claim No.
A	US 5,361,911 A (Waites, Sr. et al.) 8 November 1994	1-31
A	US 2,255,939 A (Overstrom et al.) 16 September 1941	1-3
A	US 5,829,599 A (Woodgate) 3 November 1998	1-2, 4, 7, 14, 18, 26-31
A	US 4,882,044 A (Freissle) 21 November 1989	1-31
A	US 5,464,101 A (Freissle) 7 November 1995	1-31